

Electric Pallet Truck

Streamlining material transport with ease, electric trucks offer consistency and control and can be used across a range of industries, adaptable to different warehouse or logistical setups.

Reliable Features:

- Utilizes a floating balance wheel that is easy to remove and maintain to eliminate side swing during travel, ensuring smooth, vibration-free movement.
- Enhanced structural strength via the integral rock arm mechanism, evenly distributing force from the fork to minimize deflection while loading and during extensive use. A height limit switch is also included for added safety during operations.
- Horizontal drive wheel structure elevates the motor off the ground, preventing debris accumulation and optimizing motor performance by maintaining a clean working environment.

For more information, please visit: www.linconson.com

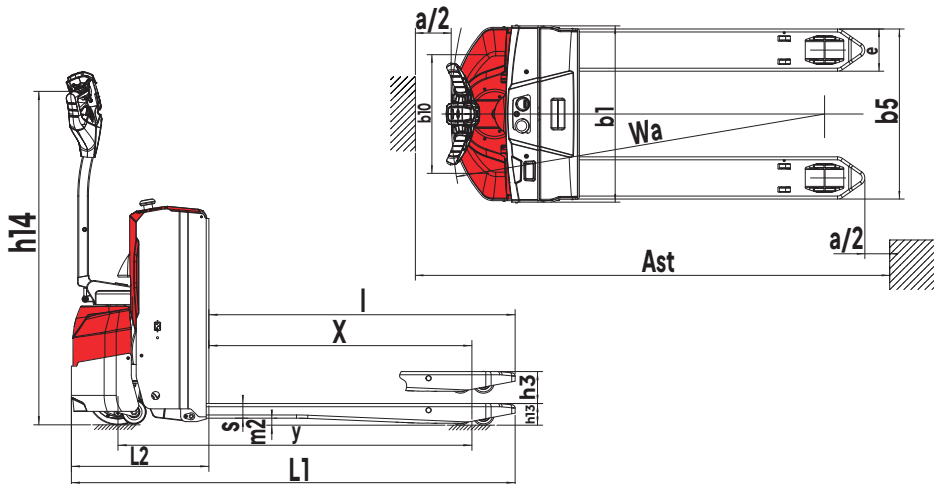


Figure 1.

Electric Pallet Truck

Model LI-EPTH-20



Efficiency in Motion

Electric Precision with Linconson Electric Pallet Trucks

		LI-EPTH-20
General Information	Model	
	Power source	Battery
	Operator type	Pedestrian
	Rated load capacity	2000 (kg) 4409.2 (lb)
	Load center distance	600 (mm) 1 ft 11.6 in
	Load distance, center of drive axle to fork	X 987/1057 (mm) 3 ft 2.9 in/ 3 ft 5.6 in
	Wheelbase	y 1376/1446 (mm) 4 ft 6.2 in/ 4 ft 8.9 in
Weight	Service weight (with battery)	398 (kg) 877.4 (lb)
	Axle loading with max. load, drive side/load side	978/ 1220 (kg) 2156.1/ 2689.6 (lb)
	Axle loading without load, drive side/load side	310/ 88 (kg) 683.4/ 194 (lb)
Tires	Tires	Polyurethane (PU)
	Tire size, drive side	Φ230×100 (mm) Φ9.1×3.9 (in)
	Tire size, load side, single (double)	Φ82×106 (78) (mm) Φ3.2×4.2 (3.1) (in)
	Balance wheel dimensions	/
	Number of wheels, drive/load side (x= driven)	1X +/2(4)
	Track width (center of tires), drive side	/
	Track width (center of tires), load side	375/ 515 (mm) 1 ft 2.8 in/ 1 ft 8.3 in
Dimensions	Lift height	h3 120 (mm) 4.7 (in)
	Height of tiller in drive position (min/ max.)	h14 750/1250 (mm) 2 ft 5.5 in/ 4 ft 1.2 in
	Lowered fork height	h13 78/ 82 (mm) 3.1/ 3.2 (in)
	Overall length	L1 1710/1780 (mm) 5 ft 7.3 in/ 5 ft 10.1 in
	Length to face of forks	L2 559 (mm) 1 ft 10 in
	Overall width	b1 710 (mm) 2 ft 4 in
	Fork dimensions	s / e/ l 74×170×1150 (1220) (mm) 2.9 in X 6.7 in x 3 ft 9.3 in (4 ft)
	Width overall forks	b5 550/ 685 (mm) 1 ft 9.7 in/ 2 ft 3 in
	Ground clearance at center of wheelbase, (forks lowered)	m2 375/ 515 (mm) 1 ft 2.8 in/ 1 ft 8.3 in
	Aisle width for pallets 1000×1200 crossways	Ast 2346/ 2418 (mm) 7 ft 8.4 in/ 7 ft 11.2 in
	Aisle width for pallets 800×1200 lengthways	Ast 2200/ 2242 (mm) 7 ft 2.6 in/ 7 ft 4.3 in
Performance Data	Turning radius	Wa 1548/ 1618 (mm) 5 ft 0.9 in/ 5 ft 3.7 in
	Travel speed, laden/unladen	km/h 5.8/ 6
	Lifting speed, laden/unladen	m/s 0.03/0.038
	Lowering speed, laden/unladen	m/s 0.04/ 0.036
	Max.gradeability, laden/unladen	% 8/ 20
Motors	Service brake	Electric Magnetic
	Drive motor	kW 1.2
	Lift motor	kW 0.8
	Battery voltage/capacity K5	V/Ah 24/180 (ACID)
	Battery weight	128 (kg) 282.2 (lb)
	Noise level at the driver's ear meet the DIN12053	dB (A) 70

*Refer to Figure 1. for additional info for abbreviation references (eg. h14).